

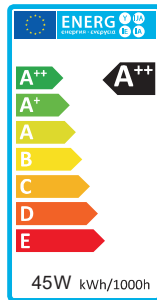
Data sheet

LED Spotlight SDS-018K

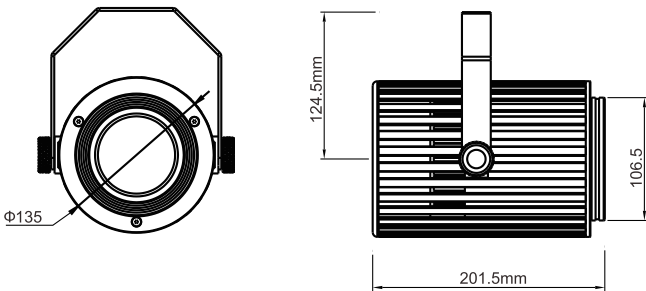


Product

Model name	SDS-018K
Maker	Stardust LED
Voltage	AC 85V~265V (50 / 60 Hz)
Power Consumption	45W
Driver	Include
Product	LED Spotlight



Dimensional drawing (unit:mm)



The track light is ideal for setting lighting accents. The powerful spotlights' varied beam angles ensure pinpoint, powerful, and energy-efficient illumination. High colour-rendering values create ideal lighting conditions for presentation, beyond simply in retail or museums.

With the LED track lights, you are not only opting for ideal lighting for your business or living space, but also for the high-quality and innovative design of our LED track lights.

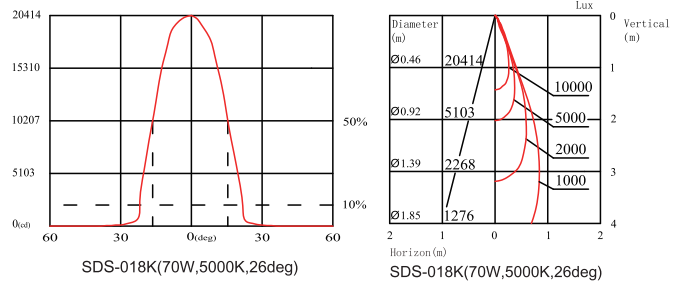
The LED track light makes your colors appear particularly strong and rich in contrast without distorting the color itself, and is therefore ideal for presenting your goods.

Adjustable beam angle 24°-60°, providing optional color temperature 2700K/3000K/4000K/5000K, CRI is optional for 80 or 90 and suitable for various commercial lighting occasions.

Suitable for various commercial lighting occasions. Triac dimming, 0-10V, DALI dimmable or nondimmable is optional to provide better light efficiency.



Lighting Data



Specifications

Model name	SDS-018K
Nominal luminous flux(lm)	4000 -4500lm
Frequency(Hz)	50/60Hz
Nominal power consumption(W)	45W
Power factor	>0.9
Lumen maintenance factor	L70
Dimmable function	Non-Dimmable / Dimmable
Nominal beam angle(°)	26°~60° (adjustable)
Operating temperature(C)	-20 C ~+48 C
Nominal lamp life time(hrs)	50000hrs
Color temperature(K)	2700K~5000K
CRI(Ra)	>80Ra
Rating	IP 44
Dimension(mm)	Φ135X202mm
Material	Aluminium
Weight(KG)	2.6KG
Energy efficiency index	A++
Energy consumption(kWh/1000h)	45 kWh/1000h
Certification	CE

Application

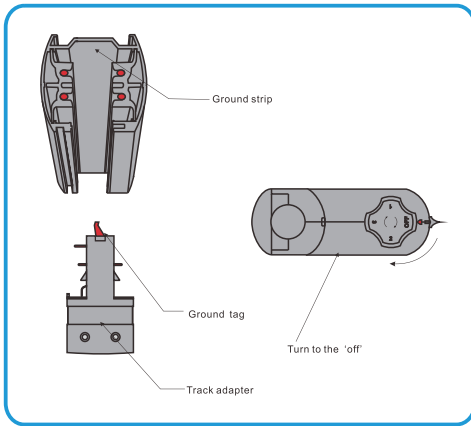
- Retail shop , shopping mall , museum and other commercial lighting



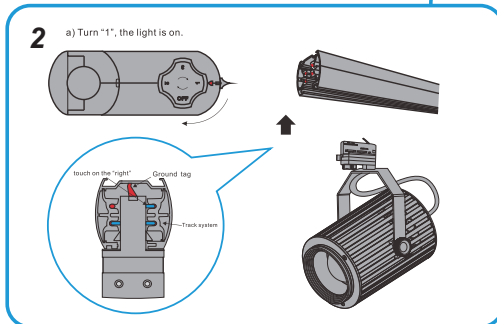
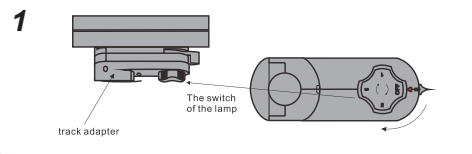
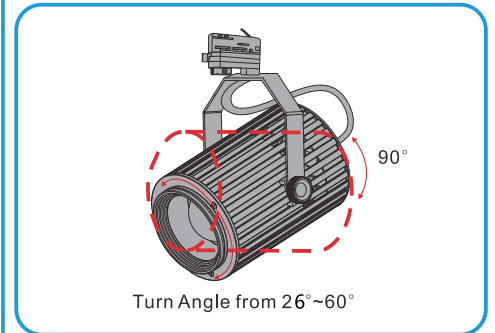
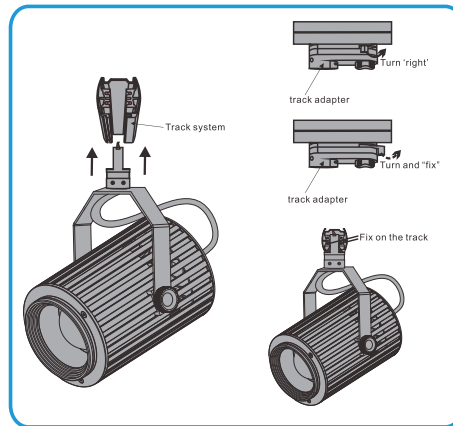
LED Spotlight SDS-018K

Installation Instruction

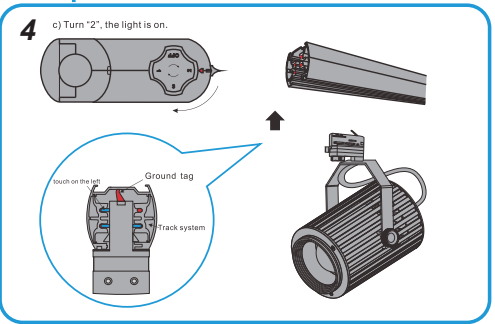
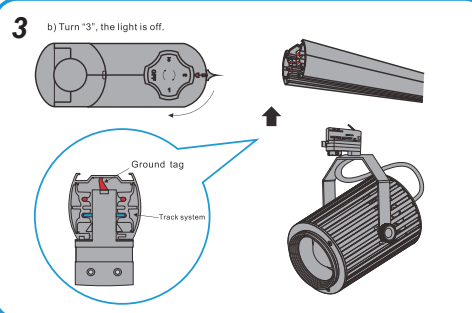
Step1: Make sure that the power supply is off.
The track light should be "off".



Step2: Attach the track light in the track system directly.
Then turn the button fix the track light in the track system.



Step3: After fix the track light on the track system,
then turn the switch make the lamp light on.
Choose '1' or '2' or '3', and make the lamp
'on' and 'off'.



Contact

Stardust Lighting Co.,Ltd



+86-757-82226490



+86-757-86408550



postmaster@stardust-lighting.com



www.stardust-lighting.com



Cross of Shangbo, Nanhai Luocun Town, Foshan

China 528226

