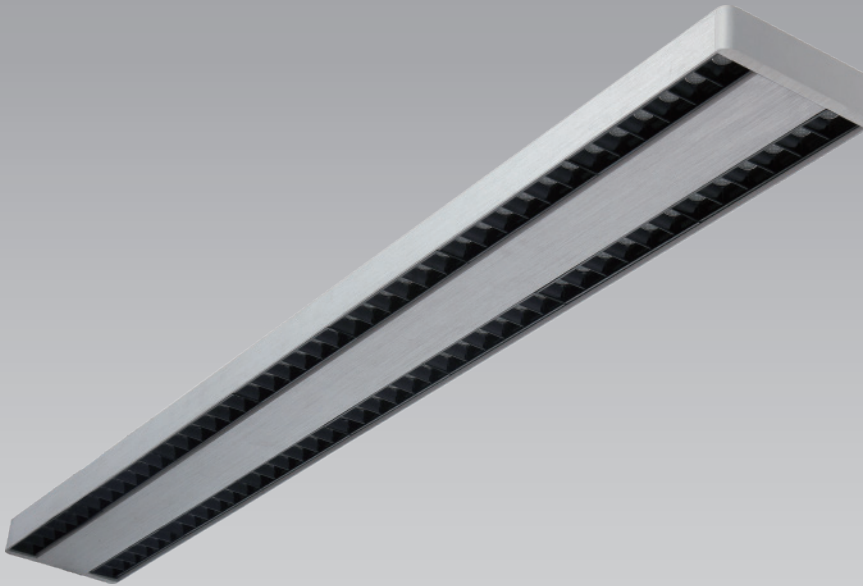


# Data sheet

## LED Pendant Light SDF-012

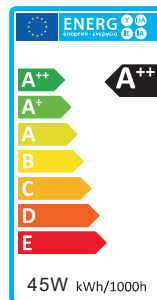
### Optional Version:

- Dali
- Free Flicker
- 0-10V Dimmable
- Motion Sensor
- Day Light Sensor

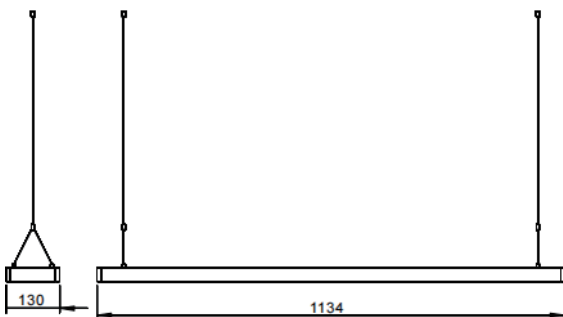


### Product

Model name	SDF-012
Maker	Stardust LED
Voltage	AC 85V~265V ( 50 / 60 Hz )
Power Consumption	45W
Driver	Include
Product	LED Pendant Light



Dimensional drawing (unit:mm)



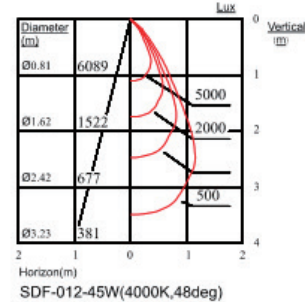
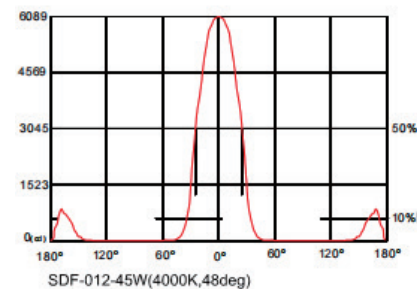
With the LED pendant lights, you are not only opting for ideal lighting (UGR<9) for your business or living space, but also for the high-quality and innovative design of our pendant lights.

In addition to the flicker-free light reproduction, the excellent contrast reproduction with very good, constant color reproduction ensures optimal vision and is easy on the eyes for fatigue-free work in a pleasant atmosphere in offices, conference rooms and other commercial lighting application.

Pendant light for direct/indirect lighting, low glare value, with dimming function, installation of connecting accessories can connect pendant lights one by one. Composition linear lighting.



### Lighting Data



### Specifications

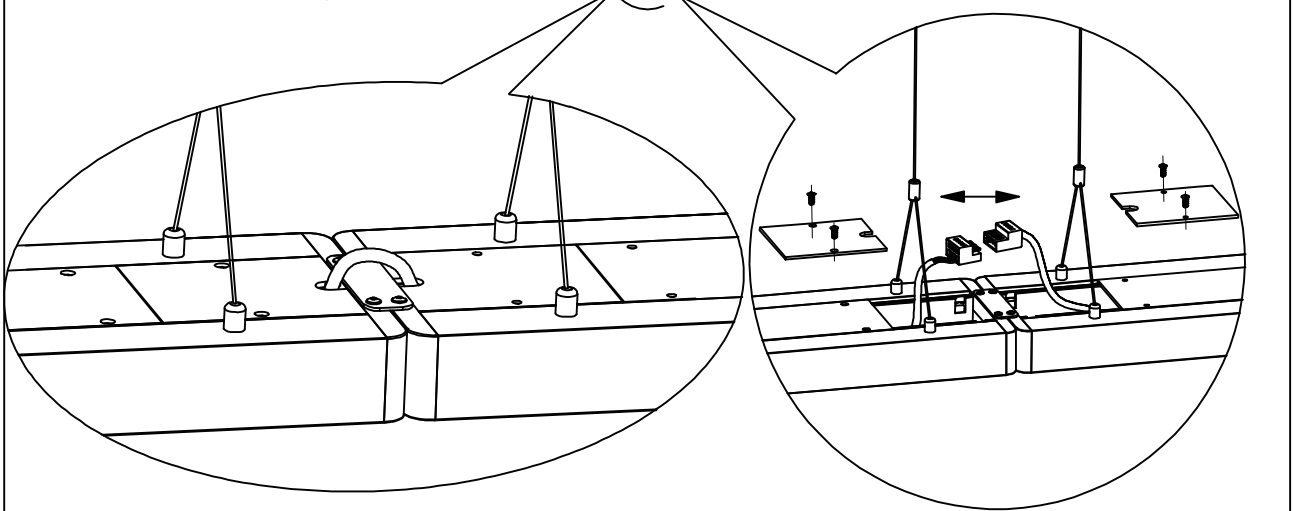
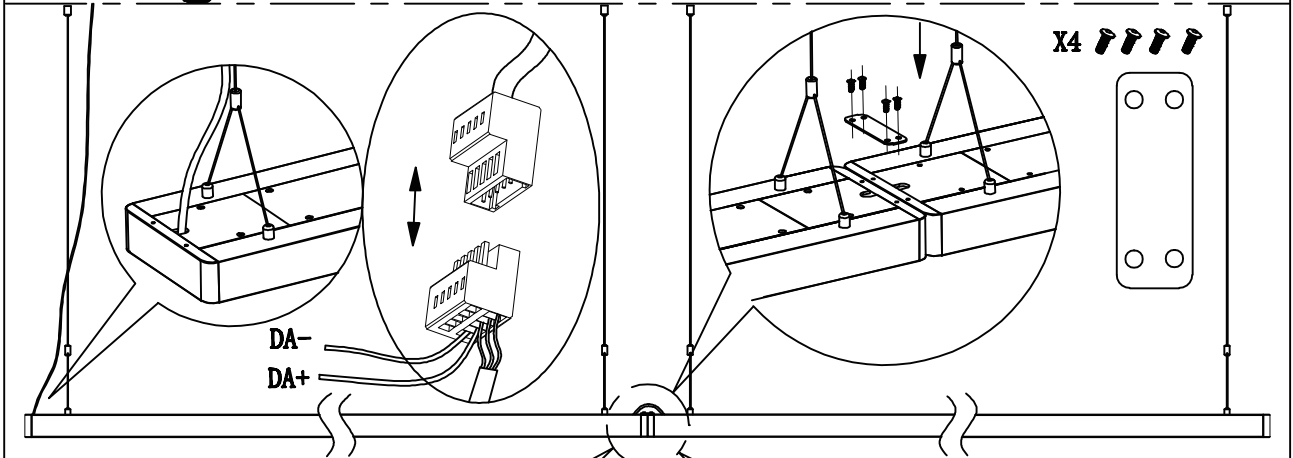
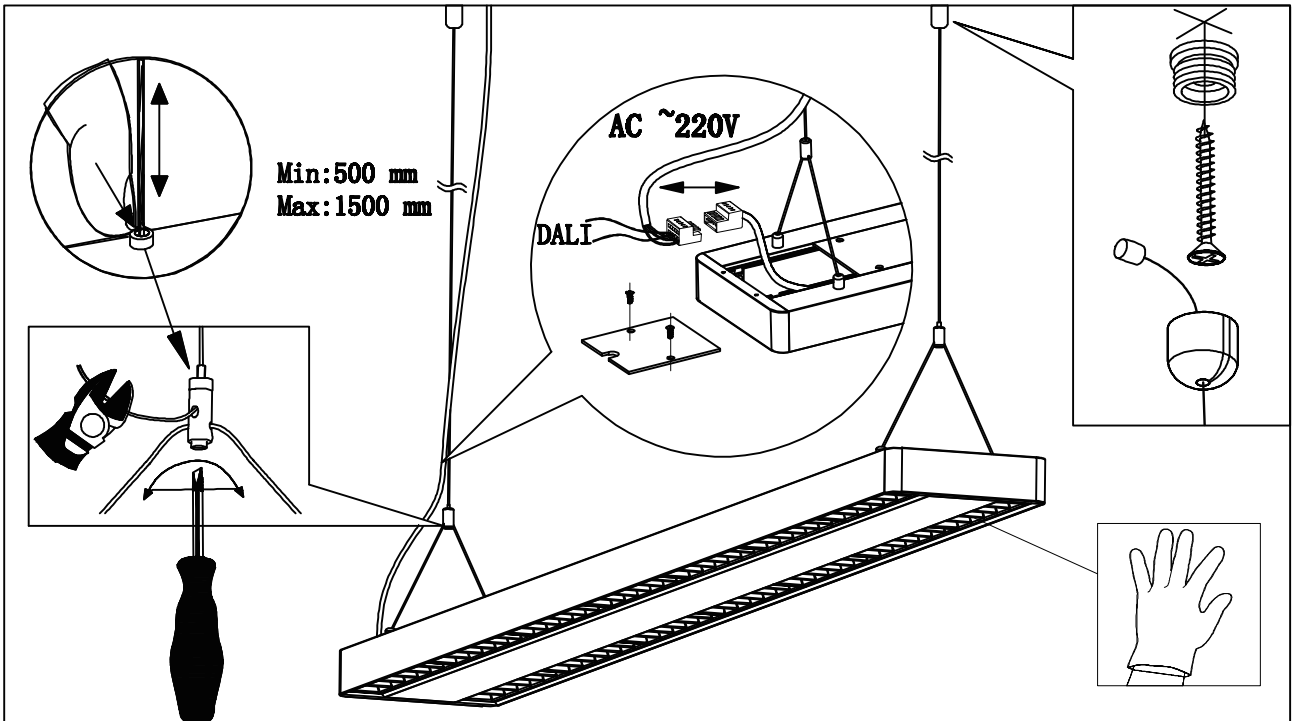
Model name	SDF-012
Nominal luminous flux(lm)	4200 -4700lm
Frequency(Hz)	50/60Hz
Nominal power consumption(W)	45W
Power factor	>0.9
Lumen maintenance factor	L70
Dimmable function	0-10V Dimmable(Dali optional)
Nominal beam angle(°)	↑120° / ↓48°
Operating temperature(°C)	-20C~+40C
Nominal lamp life time(hrs)	50000hrs
Color temperature(K)	3000K/4000K/6000K
CRI(Ra)	>80Ra ( >90 optional)
Rating	IP 20
Dimension(mm)	1134X130X34mm
Material	Aluminium
Weight(KG)	3KG
Energy efficiency index	A++
Light distribution	Direct / Indirect
Certification	CE

### Application

- Office, home lighting, hotel lighting, other commercial lighting.



# Installation instructions



	DA-	S Grundläggande isolering mellan nät och styr ledning.
	DA+	
	⊕	GB Basic insulation between mains and control wiring.
	N	
	L	

**Ljuskällan ska enbart bytas ut av tillverkaren eller hans utsedda person.**  
**The light source shall only be replaced by the manufacturer or his designated person.**